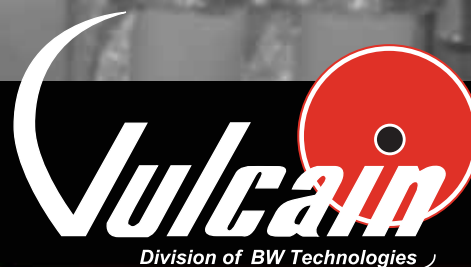


VA301C

Digital Gas Detection Controller



The VA301C continuously monitors and controls toxic gases, combustible gases, and oxygen hazards. Designed for installation and operational simplicity, the VA301C reduces the cost of installation and ownership. Using an addressable RS-485 Modbus communication protocol, the VA301C uses daisy chain wiring requiring only 2 pairs of wires to connect up to 96 transmitters or relays the 3 input channels. This simplifies installation, in turn lowering costs. The VA301C's ability of zoning and averaging, also significantly reduce operational and maintenance costs.

Key Features and Benefits

- Low installation costs
- Flexibility with interchangeable transmitters able to detect different gases
- Expands to handle up to 96 transmitters or relay modules
- Manages up to 768 events with programmable latching alarms
- Allows for up to 126 zoning groups which can save energy and extend fan and relay life
- Programmable time delays
- Integrated time clock enables scheduling of system operations
- Fully programmable relays (can be set as failsafe or not)
- Datalogging option
- Modbus compatible; with BACnet/IP available
- Continuous alphanumeric display
- Full array of visual indicators and integrated 65dBA alarm levels
- Automatic quick self-test and warm-up
- Available in a heavy duty industrial housing



Ordering Information

VA301C	Gas detection system controller
Options (add suffix)	
-DLC	Datalogging
-DLC-BIP	Datalogging and BACnet / IP output
-CDS	Datalogging with industrial grade housing

VA301C

Digital Gas Detection Controller

Power Requirement:

17-27 VAC, 24-38 VDC, 500 mA

Network Capacity:

Three Modbus channels for up to 96 transmitters

Communication Line Lengths:

Up to 2000 ft. / 609 m per channel
T-Tap: 65 ft. / 20 m, maximum per T-Tap
130 ft. / 40 m, maximum for all T-Tap combined

Relay Output Rating:

5 A, 30 Vdc or 250 Vac (resistive load)

Alarm Levels:

3 fully programmable alarm levels

Time Delays:

0, 30 sec., 45 sec., 1-99 minutes before and after alarm

Outputs:

4 DPDT relays (alarms and/or fault);
65dBA buzzer

Display:

Large 122 x 32 dot matrix display


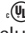
Operating Humidity Range:

0-95% RH, non-condensing

Operating Temperature Range:

-4 to 122°F / -20 to 50°C

Ratings and Certifications:

Certified to:  C22.2 No 205
Conforms to:  Standard 1244
IEC 61010-1 Including Amendments A1:1992 +
A2:1995 and National Deviations (Canada, US)

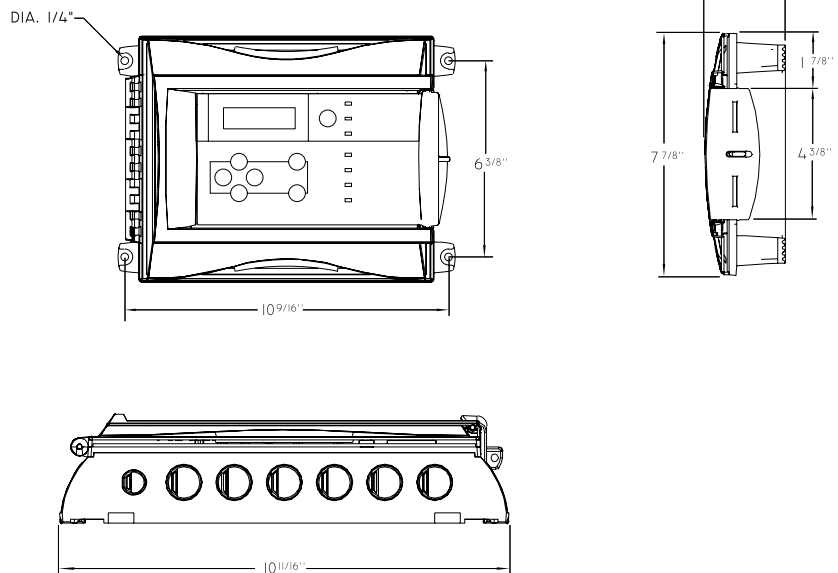
General Specifications

Size: 11.02 x 7.99 x 2.76 in. / 28 x 20.3 x 7 cm
Weight: 2.4 lb. / 1.1 kg
Enclosure: NEMA 4X Polycarbonate – ABS

Zoning / Averaging

The VA301C controller offers unique zoning capability which permits the averaging and comparison of multiple sensor readings. Zoning can reduce operational costs by ensuring that localized brief fluctuations registered at a single transmitter do not activate relays. For example, a car idling in a parking structure may locally increase a reading at a nearby transmitter. Rather than activating a fan as a result of the temporary localized fluctuation, zoning can be used to limit relay activation for which the average reading for a zone exceeds a set-point. This can reduce run time of fans, yielding savings in both energy usage and wear and tear. The VA301C has the capacity to manage input from 96 transmitters which can be associated with up to 126 zones. Transmitters can belong to an unlimited number of zones, providing maximum operational and control flexibility.

Mounting measurements



Locally distributed by:



USA tel: +1-888-488-5224
CANADA tel: +1-800-563-2967
INTERNATIONAL tel: +1-450-619-2450

fax: +1-847-285-3907
fax: +1-888-967-9938
fax: +1-450-619-2525

1088 National Parkway
4005 Matte Boulevard, Unit G

Schaumburg, IL 60173
Brossard, QC J4Y 2P4

VN1088-01-01-00-8.25x11-20051222-5720-6

sales@vulcaininc.com

www.vulcaininc.com