

## Model KE: Radial Blade Pressure Blowers

The Model KE is typically used on small hoods where grease filters may or may not be installed. It also can be used where air contains dirt, lint or foreign material as wheel is self cleaning type.



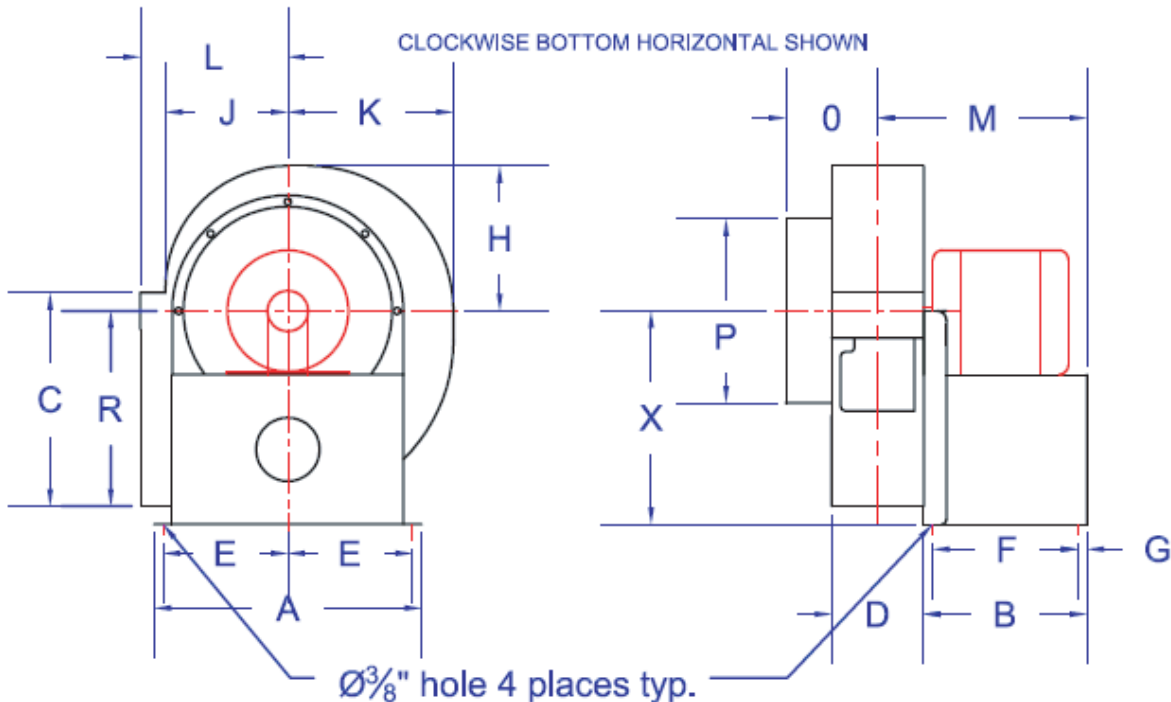
**Wheels:** Constructed with straight radial blades of heavy cast aluminum for self cleaning feature, dynamically balanced and designed for efficient operation.

**Housings:** Welded 16 gauge steel housings and motor bases for rigidity and long life, with a baked enamel finish.

**Rotation and Discharge:** Furnished for clockwise rotation, bottom horizontal discharge unless otherwise specified. At time of installation, housings or wheels may be turned for other discharges and rotation.

**Motors:** Various voltages and enclosures available.

Model Number			H.P	Motor Frame	RPM	CFM @ Static Pressure											dBA @ 5 ft.
Single Phase	Three Phase 208/230/460	Three Phase 575				1/8"	1/4"	3/8"	1/2"	5/8"	3/4"	1"	1.25"	1.5"	1.75"	2"	
KE-8-1X2V	KE-8-2X4V	KE-8-575V	1/3	56	1725	493	448	396	334	250	93	-	-	-	-	-	64
KE-9-1X2V	KE-9-2X4V	KE-9-575V	1/3	56	1725	848	788	724	655	572	462	-	-	-	-	-	69
KE-11-1X2V	KE-11-2X4V	KE-11-575V	1/2	56	1725	1524	1457	1386	1309	1225	1134	916	617	97	-	-	75
KE-12-1X2V	KE-12-2X4V	KE-12-575V	1	56	1725	2400	2331	2257	2179	2096	2007	1807	1564	1252	812	166	79
KE-14-1X2V	KE-14-2X4V	KE-14-575V	2	145T	1725	3307	3221	3134	3046	2956	2863	2664	2438	2164	1786	1181	81



Blower	Wheel	Bore	A	B	C	D	E	F	G	H	J	K	L	M*	O	P	R	X
KE-8	7 3/4 X 4	1/2	11	8	8 1/4	5 3/8	5	7	1/2	6	4 5/8	6 3/4	6 7/8	10 3/4	3 3/4	8	8	8 1/2
KE-9	9 X 5	1/2	12 1/8	8	10 3/4	6 1/2	5 5/8	7	1/2	6 3/4	5 5/8	7 3/4	7 1/8	11 3/4	4 5/16	9	9 1/4	9 3/8
KE-11	10 7/8 X 5 5/8	5/8	14 3/4	9	11 3/4	8	6 7/8	7 1/2	3/4	8	6 3/4	9 1/8	8 1/8	13 1/4	4 1/16	10	10 3/4	11 3/4
KE-12	12 1/2 X 7 1/2	7/8	16 3/4	10 1/2	13 1/4	9 5/8	7 3/8	8 3/4	7/8	10 1/8	8 1/2	11.5	10 1/2	15 3/16	6 3/8	13 1/4	13 1/4	17
KE-14	13 1/2 X 13 1/8	7/8	17 5/8	10 1/2	14 5/8	10 3/4	8	8 3/4	7/8	11 1/8	9 3/8	12 5/8	11 3/8	16 3/4	7	14 1/2	14 5/8	17

\* Varies based on motor brand and type used.