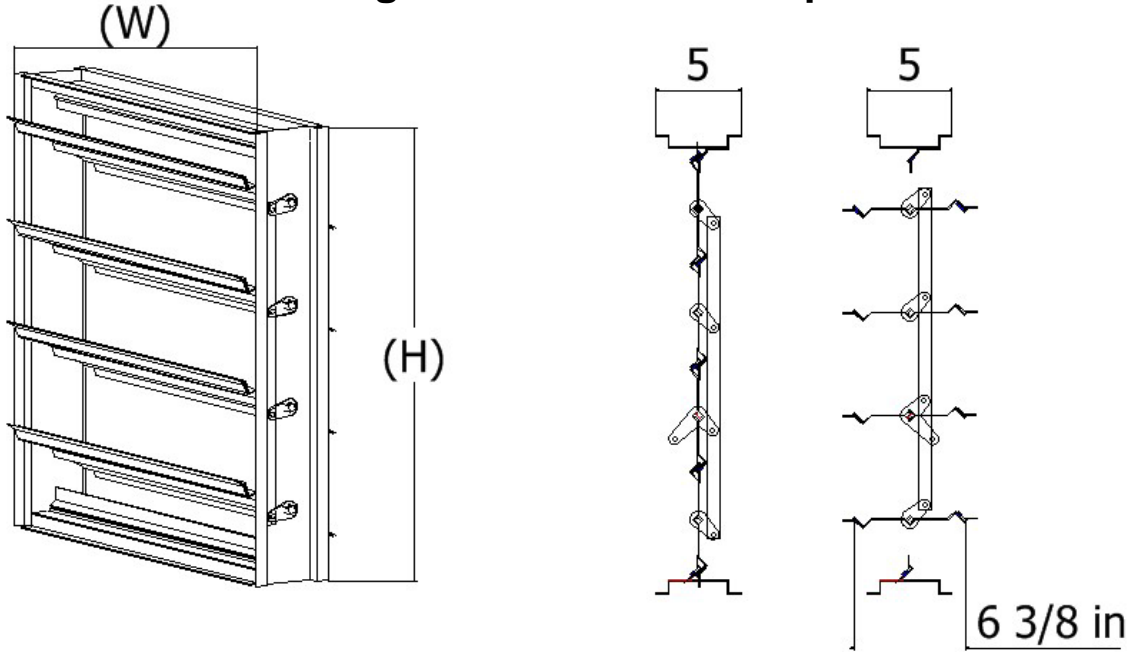


MODEL: 4100 Low Leakage Steel Control Damper



Quantity	Ref. #	Width (W)* Opening Size	Height (H)* Opening Size	Frame	Accessories
PROJECT NAME:				ENGINEER:	
CONTRACTOR:				SUBMITTAL DATE:	

STANDARD CONSTRUCTION

Depth: 5 Inches (127 mm)
Depth Blades Open: 6 3/8 Inches (162 mm)
Frame Thickness: 16 gauge Galvanized Steel
Blade Thickness: 16 gauge Galvanized Steel
Material:
Blade Seals: Co-extruded santoprene vinyl
Jamb Seals: Stainless steel compression spring
Bearings: Molded synthetic
Axles: 3/8" Plated Bar
Frame Style: Duct Mount Frame
Minimum Height: 8 Inches (203 mm) Single Blade
 14 Inches (356 mm) Multiple Blade
Maximum Panel Width: 48 Inches (1219 mm)
Maximum Panel Height: 72 Inches (1829 mm)
Maximum System Pressures: 4" w.g.
Leakage: Does not exceed 10 cfm/ft² (34l/s/m²) against
 4" w.g. (1 kPa) differential static pressure at
 -40° F (-40° C).
Linkage: Concealed in Frame
Standard Finish: Mill Galvanized

Standard Motor Installation: Side Shaft Direct Drive extendable up to 12"

AVAILABLE ACCESSORIES

Belimo and Honeywell Motors available (Alumavent Ventex)
 Jack shafts
 End Switch for signalling peripheral devices
 Hand Quadrants
 Chain Operation for manual operation spring closed

* Damper will be manufactured 1/4" smaller than given opening dimensions, unless otherwise specified.