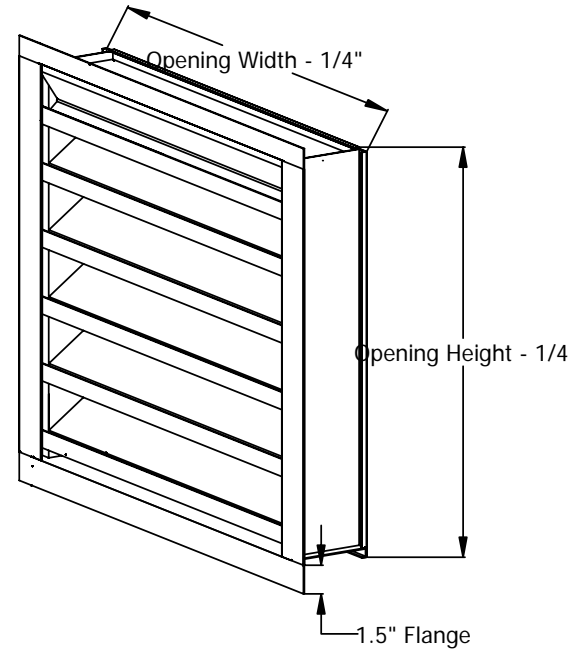
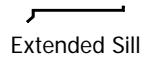
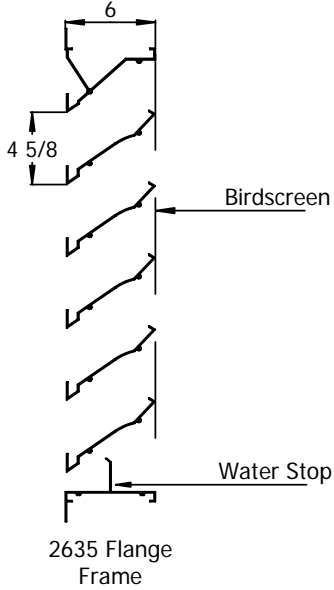




LOUVERS & DAMPERS

NEW 2630 6 INCH EXTRUDED ALUMINIUM DRAINABLE STATIONARY LOUVER



Quantity	Ref. #	Width (W)* Opening Size	Height (H)* Opening Size	Frame	Accessories
PROJECT NAME:				ENGINEER:	
CONTRACTOR:				SUBMITTAL DATE:	

STANDARD CONSTRUCTION

Depth: 6 Inches (150 mm)
Frame Style: Specify 2630 for Channel Frame
 Specify 2635 for Flange Frame
Frame Thickness: 0.095" 6063-T5 Extruded Aluminium
Blade Thickness: 0.09" 6063-T5 Extruded Aluminium
Blade Centres: 4 5/8 Inches (117 mm)
Blade Angle: 40 Degrees
Minimum Height: 16 Inches (406 mm)
Maximum Panel Width: 72 Inches (1829 mm)
Maximum Panel Height: 120 Inches (3048 mm)
Standard Finish: Mill
Free Area of 48" x 48" Unit: 8.30 Sq.ft. Free Area

Free Area Percentage: 51.9 Percent

*Louver will be manufactured 1/4" smaller than given opening dimensions, unless otherwise specified.

AVAILABLE ACCESSORIES

Bird Screen: 1/2 x 1/2 Galvanized (Standard)
 1/2 x 1/2 Aluminium
Insect Screen: 18 x 14 Mesh
Finish: Mill Finish (Standard)
 Paint Color #: V
Anodized Finish: Clear
 Light Bronze
 Medium Bronze
 Dark Bronze
Accessories: Blank Off Panel
 Insulated Blank-off Panel (1 or 2")
 All Welded Construction
 Hinged Frame
 Extend Sills & Sleeves
 Filter Racks

Continuous Line construction is NOT recommended.

DWG 2630-1 Date: Aug 2005

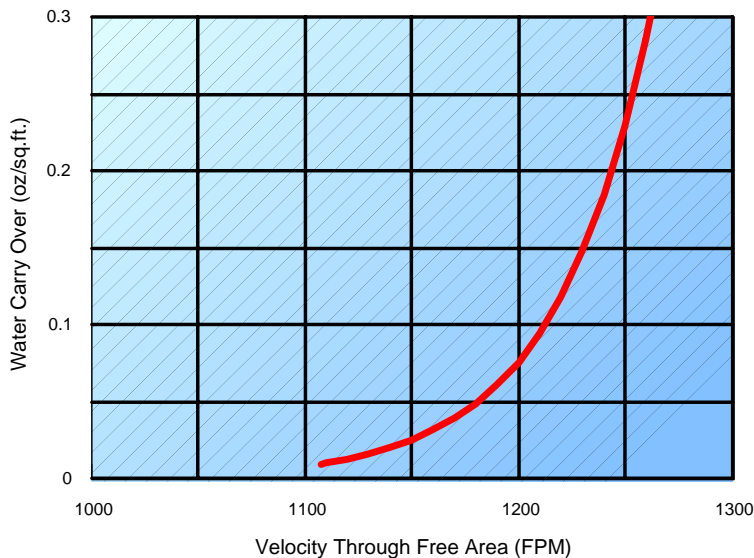


6" Extruded Aluminium Drainable Louver
Free Area in Square Feet

		WIDTH IN INCHES														
		16	20	24	28	32	36	40	44	48	52	56	60	64	68	72
H	16	0.61	0.79	0.97	1.15	1.32	1.50	1.68	1.86	2.04	2.22	2.39	2.57	2.75	2.93	3.11
E	20	0.84	1.08	1.32	1.57	1.81	2.05	2.30	2.54	2.78	3.03	3.27	3.51	3.76	4.00	4.24
I	24	1.15	1.49	1.82	2.16	2.49	2.82	3.16	3.49	3.83	4.16	4.50	4.83	5.17	5.50	5.84
G	28	1.41	1.82	2.23	2.64	3.05	3.46	3.87	4.28	4.70	5.11	5.52	5.93	6.34	6.75	7.16
H	32	1.59	2.05	2.52	2.98	3.44	3.91	4.37	4.83	5.29	5.76	6.22	6.68	7.15	7.61	8.07
T	36	1.79	2.31	2.83	3.35	3.87	4.39	4.91	5.44	5.96	6.48	7.00	7.52	8.04	8.56	9.08
	40	2.02	2.61	3.20	3.79	4.37	4.96	5.55	6.14	6.73	7.31	7.90	8.49	9.08	9.67	10.25
	44	2.26	2.92	3.58	4.23	4.89	5.55	6.21	6.86	7.52	8.18	8.84	9.49	10.15	10.81	11.47
	48	2.49	3.22	3.94	4.67	5.39	6.12	6.85	7.57	8.30	9.02	9.75	10.47	11.20	11.92	12.65
	52	2.81	3.62	4.44	5.25	6.07	6.89	7.70	8.52	9.33	10.15	10.97	11.78	12.60	13.41	14.23
	56	3.05	3.93	4.82	5.71	6.59	7.48	8.37	9.25	10.14	11.03	11.91	12.80	13.68	14.57	15.46
	60	3.29	4.24	5.20	6.15	7.11	8.06	9.02	9.98	10.93	11.89	12.84	13.80	14.75	15.71	16.67
	64	3.66	4.73	5.79	6.86	7.92	8.99	10.05	11.12	12.18	13.25	14.31	15.38	16.44	17.51	18.58
	68	3.66	4.73	5.79	6.86	7.92	8.99	10.06	11.12	12.19	13.25	14.32	15.38	16.45	17.51	18.58
	72	3.90	5.03	6.17	7.30	8.44	9.57	10.71	11.84	12.98	14.11	15.25	16.38	17.52	18.65	19.78
	76	4.13	5.34	6.54	7.74	8.94	10.15	11.35	12.55	13.75	14.96	16.16	17.36	18.56	19.77	20.97
	80	4.36	5.63	6.89	8.16	9.43	10.70	11.96	13.23	14.50	15.77	17.03	18.30	19.57	20.84	22.10
	84	4.73	6.11	7.49	8.86	10.24	11.62	12.99	14.37	15.74	17.12	18.50	19.87	21.25	22.63	24.00
	88	4.94	6.37	7.81	9.24	10.68	12.12	13.55	14.99	16.42	17.86	19.30	20.73	22.17	23.60	25.04
	92	5.23	6.75	8.28	9.80	11.32	12.84	14.36	15.89	17.41	18.93	20.45	21.97	23.50	25.02	26.54
	96	5.31	6.85	8.40	9.94	11.49	13.03	14.58	16.12	17.67	19.21	20.76	22.30	23.85	25.39	26.94
	100	5.54	7.15	8.77	10.38	11.99	13.60	15.21	16.83	18.44	20.05	21.66	23.27	24.89	26.50	28.11
	104	5.78	7.46	9.15	10.83	12.51	14.19	15.87	17.55	19.24	20.92	22.60	24.28	25.96	27.65	29.33
	108	6.01	7.75	9.50	11.25	12.99	14.74	16.49	18.24	19.98	21.73	23.48	25.22	26.97	28.72	30.47
	112	6.28	8.10	9.93	11.76	13.58	15.41	17.23	19.06	20.89	22.71	24.54	26.36	28.19	30.02	31.84
	116	6.55	8.45	10.36	12.26	14.17	16.07	17.98	19.88	21.79	23.70	25.60	27.51	29.41	31.32	33.22
	120	6.82	8.81	10.79	12.77	14.76	16.74	18.73	20.71	22.70	24.68	26.66	28.65	30.63	32.62	34.60

2630 Drainable Water Penetration

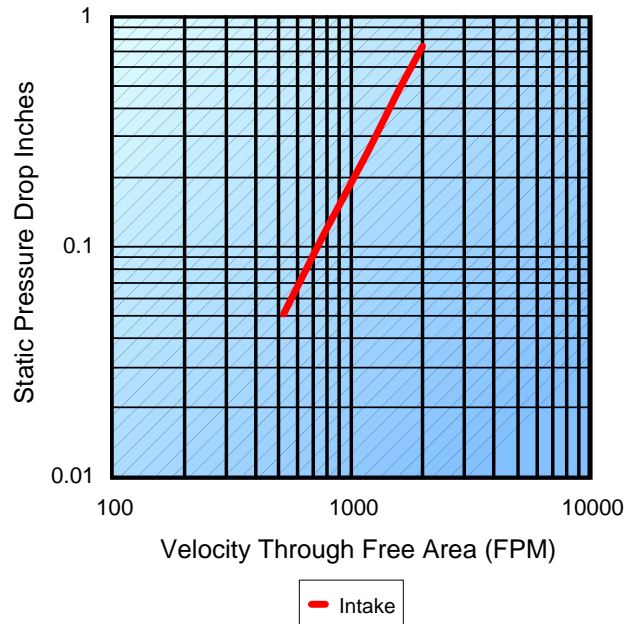
15 Minute Duration, Test Size (48x48)



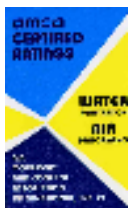
Beginning point of water penetration at 0.01 oz/sq.ft. is 1100 FPM

Ratings do not include the effect of birdscreen.

2630 Pressure Drop



— Intake



Certified Ratings

Ventex certifies that the Models 2630/2635 shown here are licensed to bear the AMCA seal. The ratings shown are based on tests and procedures performed in accordance with AMCA Standard 511 and comply with the requirements of the AMCA Certified Ratings Program. The Certified Ratings Seal applies to air performance and water penetration ratings.

Recommended Specification

Furnish and install stationary louver models 2630 / 2635 as manufactured by Ventex, Bolton Ontario. Louvers shall be 6 inches (150 mm) deep. Blades shall be 0.081 Inches (2.06 mm), frame shall be 0.081 (2.06 mm) extruded aluminium, alloy 6063-T5. Louvers shall have a 19 guage galvanized 1/2 x 1/2 birdscreen. All materials shall be factory finished after assembly with Polyester Baking Enamel in a color selected from the Ventex Color Chart.